

SKIMMERS

FEATURES



- Universal skimmer for both concrete and liner pools
- Wide angle and parallel throats
- Through the wall installations eliminating exposure and corrosion of pool panels
- Outlet connections in imperial and metric
- Overflow and water fill outlets provided
- Extending collar and square lid for ease of installation
- Extension throats allow the skimmer body to be positioned any distance from the pool wall. i.e. when using an automatic pool cover



Certikin's range of top quality swimming pool equipment is designed for all types of swimming pools. By using only Certikin equipment you will ensure ease of supply now and in the future.

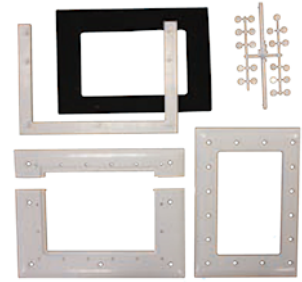
1/2" BSP F
 35
 70
 300
 50mm Metric Socket 9m Plug



HD100N (concrete/flap)
HD100SN (concrete/collar)



HD101CS (concrete wide angle)
 Incorporates a front bezel eliminating the need for expensive finishing work and provides an effective “funnel” through to the skimmer.



HD100LAK (liner adaptor kit)
 The Certikin skimmer is available for concrete and liner pools with either flap or floating collar weir. Designed to remove floating debris from the water surface quietly and efficiently. The liner adaptor kit enables the concrete skimmer to be instantly transformed into liner.



HD101LS (liner wide angle)
 Designed for installation in prefabricated, block and liner, or GRP Pools. Supplied complete with all necessary gaskets and screws.



Extension Throat (used in conjunction with HD100N or HD100SN).



HD102LN (liner parallel)
 Designed for installation in prefabricated, block and liner, or GRP Pools. The Certikin parallel extension throat incorporates the revolutionary front adaptor kit aiding installation. Due to the throat design, extension throats can be fitted together to help create a long channel for those difficult jobs.

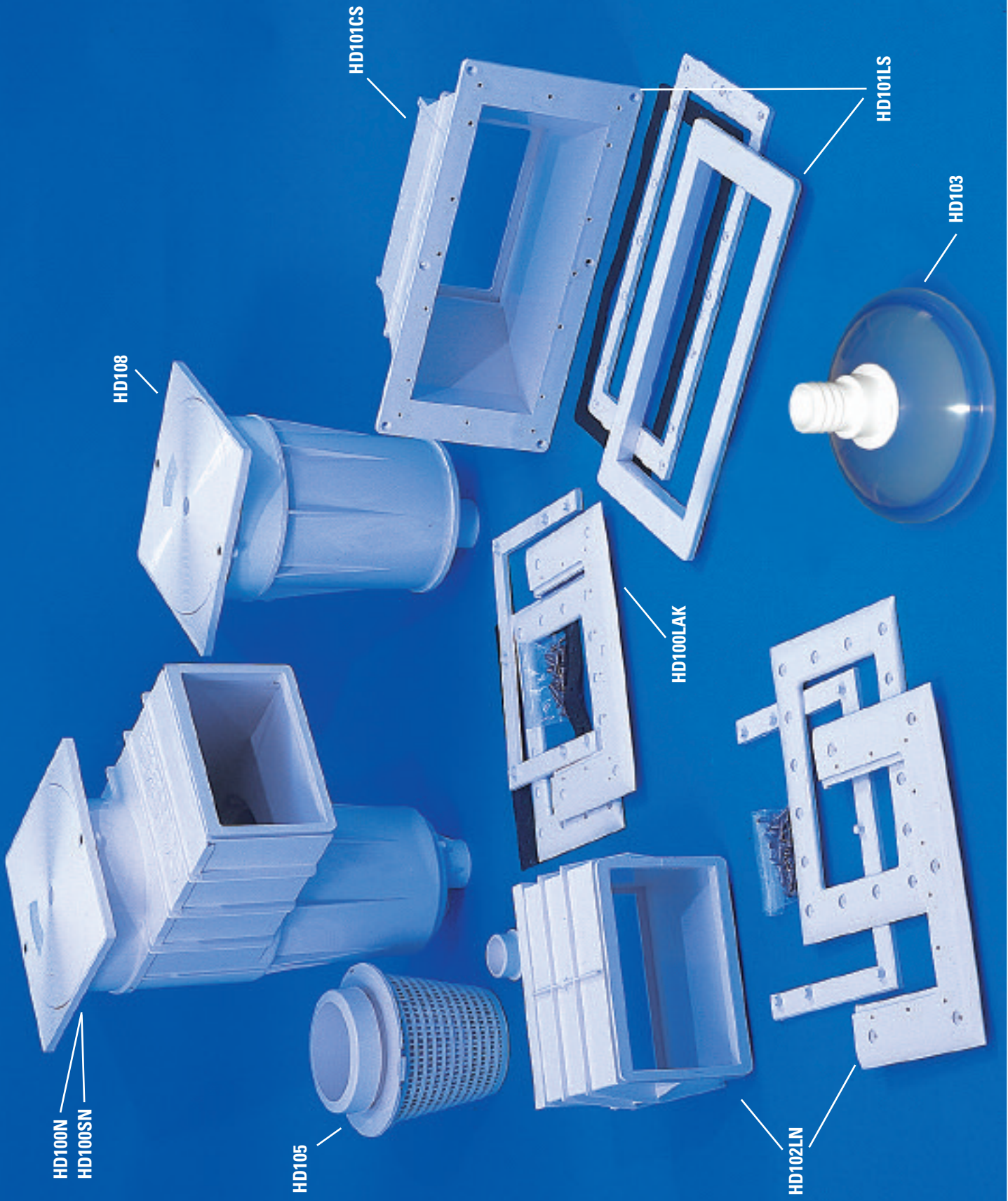


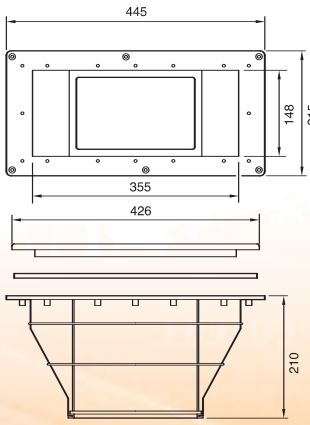
HD108

HD108 Automatic top up valve
 This very efficient and simple to install pool water controller is designed to ensure constant pool water level.

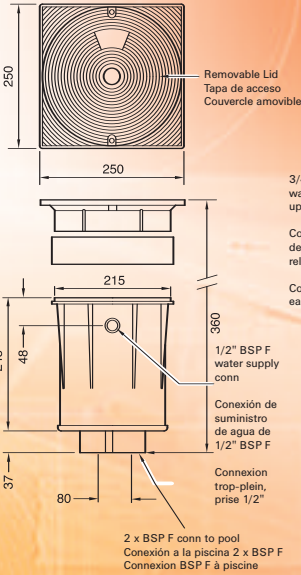


HD105 Conversion kit
 For easy conversion from flap weir to collar weir skimmer, the HD105 includes a basket, floating collar and guide.





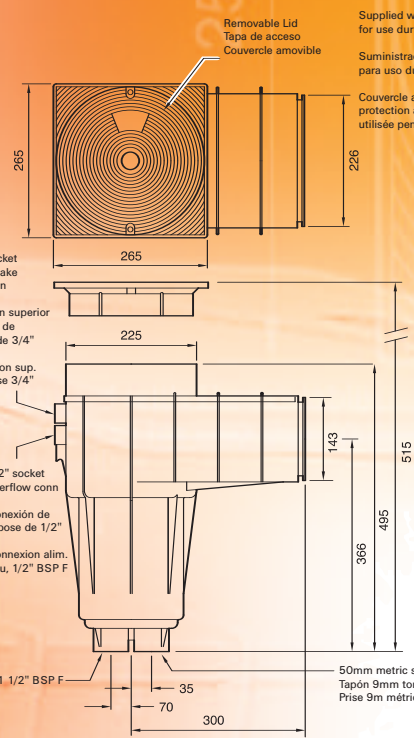
HD101CS Conc / Liner / Béton
HD101LS Liner / Revestimiento / Liner



HD108
Water level controller comes complete with float operated valve

Controlador de nivel de agua. Completo con válvula accionada por flotador

Contrôleur de niveau d'eau, fourni complet avec une vanne de commande de débit

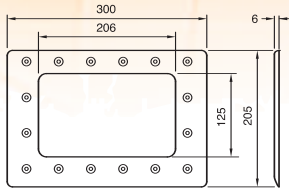


HD100NS (conc/ collar) (hormigón/collar) (béton/collier)
HD100N (conc/flap) (hormigón/aleta) (béton/volet)
HD100LAK (liner adaptor kit) (juego adaptador a revestimiento) (Kit d'adaptation liner)

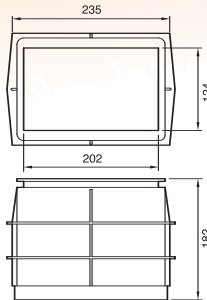
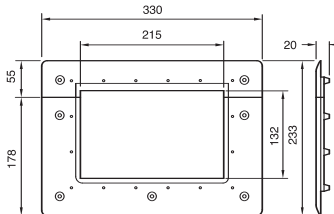
Has adjustable flow restrictor for bottom connection. Either flap weir or collar weir
Incorpora restrictor de caudal ajustable para conexión de fondo
Possède un limiteur de débit réglable pour la connexion du fond

- **Skimmer maximum flow is 4.5m³ per hour Q max = 4,5m³/h**

Front finishing plate Pt No 419N
Placa de embellecedor frontal pieza No 419N
Plaque d'enjoliveur / No de pièce 419N

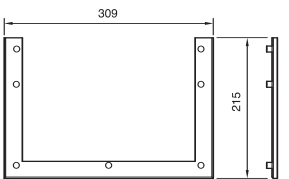


Pt No 420N
Liner plate adaptor
Pt No 420N
Adaptador de placa de revestimiento
No de pièce 420N
Adaptateur de plaque de liner



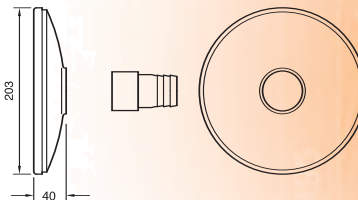
Parallel extension throat
Garganta extensible en paralelo
Meurtrière parallèle

Clamp plate Pt No 418N
Placa de sujeción pieza No 418N
Plaque de brigade No de pièce 418



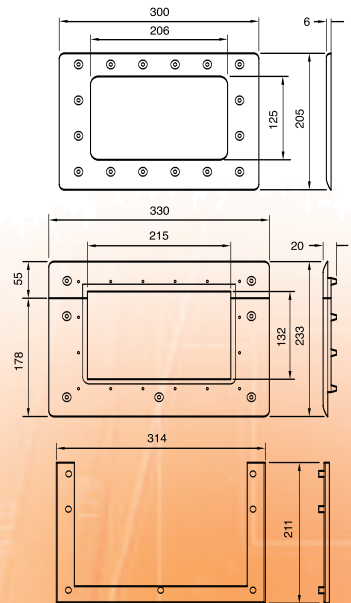
HD102LN

Complete with gasket self tapping screws, screw covers
Completo con juntas autorroscantes, y tapas de tornillos
Complet avec joint vis auto-traudeuses, brouchons de vis



HD103

Accessory to skimmer for vacuuming pool
Accesorio de skimmer para la aspiración de la piscina
Accessoire du skimmer pour aspirer la piscine



HD100LAK

30.07.04



This literature is intended as a guide. The Company reserve the right to change the specification without notice.

