

Certikin commercial LED underwater lights

LED Underwater Floodlights

Designed and manufactured in the UK, the high performance Certikin LED Underwater Floodlight is available in two styles, PU6 Quick Change and the PU9 Angled Niche which has proved popular in the UK since its original design in 1972. LED lights should be installed with a PUI1S, PUI1H or PUI1060 transformer and a PUI0N deck box. Every Certikin light comes complete with a factory fitted clear polycarbonate safety cover and is available in options to suit both liner and concrete pool installations.



PU9 - High performance LED underwater flood light

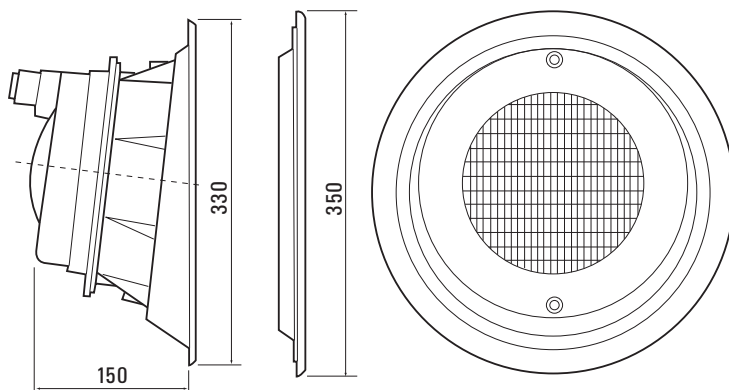
Reduce pool running costs - upgrade to Certikin LED and save over £1000 per year.

- 10 x 25W Certikin LED's cost only £91 to run a year
- 10 x 300W lights cost £1095 to run for a year

Running costs are based on electricity at 10p per kW and 10 lights being operational for 10 hours per day for 365 days.

LED Underwater Lights - PU9

Code	Description
PU9CSLW	PU9 white LED light and niche - concrete
PU9LSLW	PU9 white LED light and niche - liner
PU93LW	PU9 white LED guts only with 3 metre cable

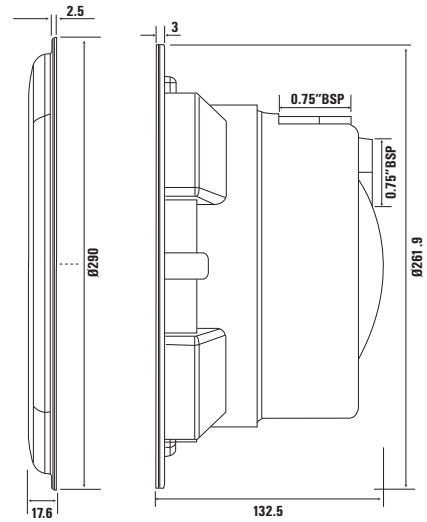


PU9 Light

This niche is specially designed to angle the beam of the lamp down by 5° which means that the lights can be positioned to accomplish optimum effect without glare to the swimmer or at the poolside.

- Comes with a finishing / fascia ring to cover screw holes and tiling edges.
- Lights are completely recessed into the pool wall and do not protrude into the pool making the PU9 light perfect for installation in a pool with a moveable floor.

PU6 Light shown with optional SPC4756S Stainless Steel Face Plate.



Niche & fascia Ring

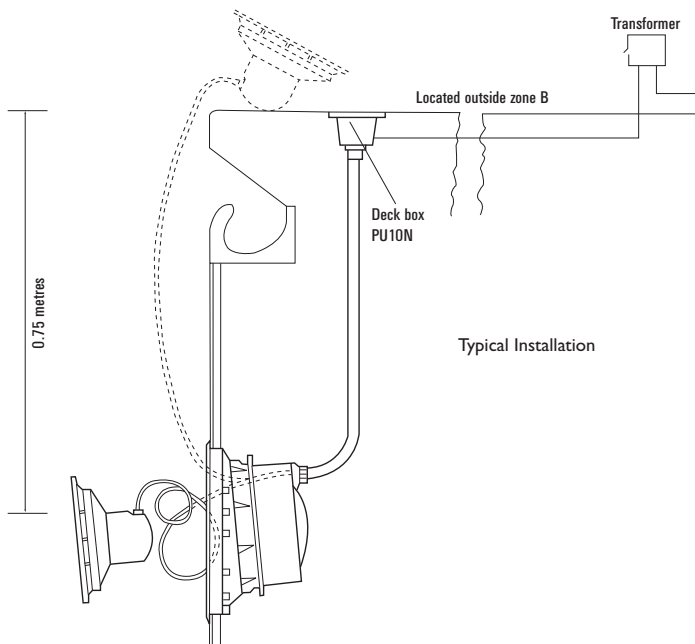
Quick Change LED Underwater Lights - PU6

Code	Description
PU6CLW	PU6 quick change white LED light and niche - concrete
PU6LLW	PU6 quick change white LED light and niche - liner
PU63LV	PU6 quick change white LED guts only with 3 metre cable

PU6 Light

A revolution in underwater lighting design, the bulb in the PU6 Quick Change light is held in place by a threaded ring without the need for fixing screws, making maintenance and bulb changing quick and easy.

- Option of vertical or horizontal connection from rear
- Comes with ABS adjustable fascia ring to allow for variance in tiling and screeding depths
- Optional 316 grade stainless steel fascia ring



LED Specification

LED lamps contain 14 high powered 3W white LED's driven at 60% (25W total) and has been independently tested by BSI for performance coming first out of eight competitive lights tested.

- Borasilicate scratch resistant glass lens cover will not discolour or scratch over time.
- 316 grade stainless steel body
- Voltage tolerance from 9-18V
- Plug and play system allows easy upgrade from Certikin Halogen lights

