

OWNER'S MANUAL

**IMPORTANT
SAFETY RULES**
Read, Understand, and Follow all
Instructions Carefully before
Installing and using this Product.

Pool Ladder

Owner's Manual For:

36" (91 cm), 42" (107 cm) & 48" (122 cm)
models



Don't forget to try these other fine Intex products: Pools, Pool Accessories, Inflatable Pools and In-Home Toys, Airbeds and Boats available at fine retailers or visit our website.

INTEX® ©2009 Intex Marketing Ltd. - Intex Development Co. Ltd. - Intex Trading Ltd.
- Intex Recreation Corp.
All rights reserved/Tous droits réservés/Todos los derechos reservados/Alle Rechte vorbehalten. Printed in China/Imprimé en Chine/Impreso en China/Gedruckt in China.
©™ Trademarks used in some countries of the world under license from/©™ Marques utilisées dans certains pays sous licence de/Marcas registradas utilizadas en algunos países del mundo bajo licencia de/Warenzeichen verwendet in einigen Ländern der Welt in Lizenz von/Intex Marketing Ltd. to/à/a/an Intex Trading Ltd., Intex Development Co. Ltd., G.P.O. Box 28829, Hong Kong & Intex Recreation Corp., P.O. Box 1440, Long Beach, CA 90801 • Distributed in the European Union by/Distribué dans l'Union Européenne par/Distribuido en la unión Europea por/Vertrieb in der Europäischen Union durch/Intex Trading B.V., P.O. Box nr. 1075 – 4700 BB Roosendaal – The Netherlands

Warnings.....	3
Parts List & Reference.....	4-6
Set Up Instructions.....	7-10
General Aquatic Safety.....	11
Intex Service Center Locations.....	12

TABLE OF CONTENTS

IMPORTANT SAFETY RULES

Read, Understand and Follow All Instructions Carefully Before Installing and Using this Product.

WARNING


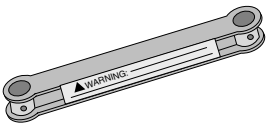
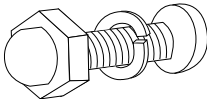
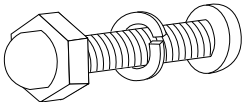
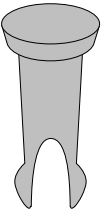
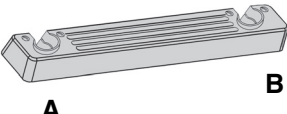
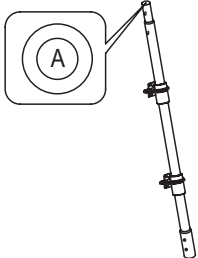
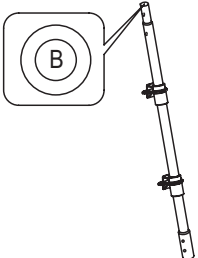
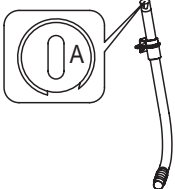
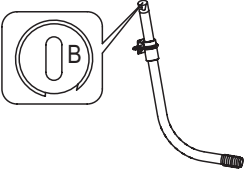
- Always supervise children and those with disabilities at all times.
- Never dive or jump from this ladder.
- Locate the ladder on a level, solid base.
- One person on this ladder at a time.
- Maximum load: 300 lbs (136 kg).
- Face the ladder at all times for entry/exit of pool.
- Remove and secure ladder when pool is not occupied.
- Do not swim under, through or behind ladder.
- Check all nuts and bolts regularly to ensure ladder stays sturdy.
- If swimming at night use artificial lighting to illuminate all safety signs, ladders, pool floor and walkways.
- Assembly and disassembly by adults only.
- This ladder is designed and manufactured for a specific pool wall height and/or deck of the pool.
- Only use this ladder for purposes described in this manual.

FAILURE TO FOLLOW THESE WARNINGS MAY RESULT IN BROKEN BONES, ENTRAPMENT, PARALYSIS, DROWNING OR OTHER SERIOUS INJURY.

These product warnings, instructions and safety rules provided with the product represent some common risks of water recreation devices and do not cover all instances of risk and danger. Please use common sense and good judgment when enjoying any water activity.

SAFETY RULES

PARTS LIST

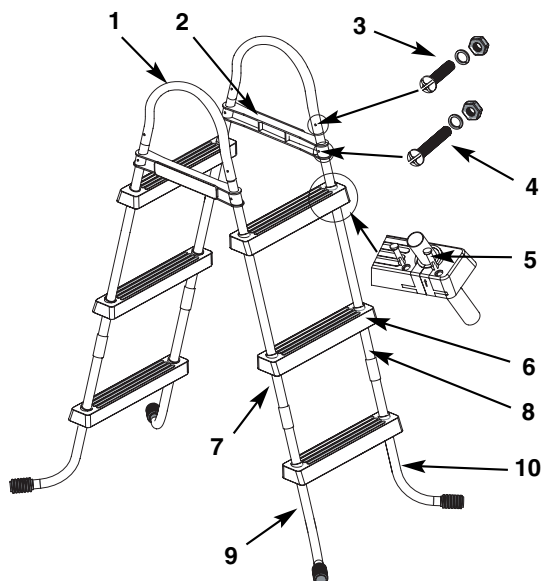
<p>1</p> 	<p>2</p> 	<p>3</p> 
<p>4</p> 	<p>5</p> 	<p>6</p> 
<p>7</p> 	<p>8</p> 	<p>9</p> 
<p>10</p> 		

NOTE: Drawings for illustration purpose only. May not reflect actual product.
Not to scale.

PARTS LIST

PARTS REFERENCE

Before assembling your product, please take a few minutes to check the contents and become familiar with all the parts.



36" (91 cm) & 42" (107 cm) models

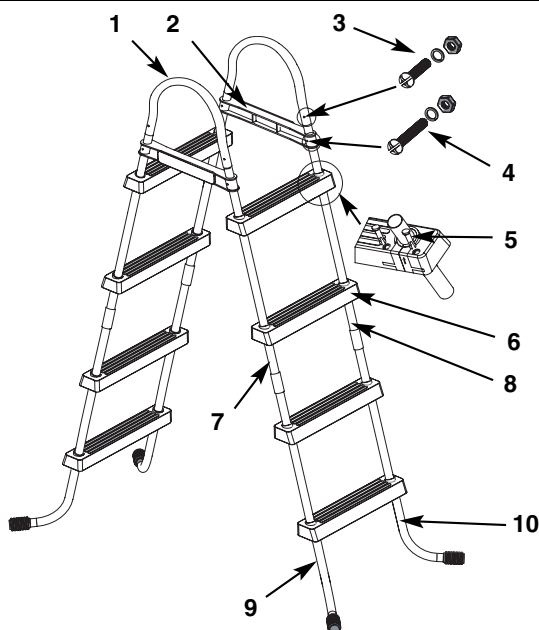
NOTE: Drawings for illustration purpose only. May not reflect actual product. Not to scale.

REF. NO.	DESCRIPTION	LADDER SIZE & QUANTITY	
		36"	42"
1	U-SHAPED TOP RAIL	2	2
2	TOP BRACE	2	2
3	SHORT FASTENER FOR U-SHAPED TOP RAIL (WITH 1 EXTRA)	5	5
4	LONG FASTENER FOR TOP BRACE (WITH 1 EXTRA)	5	5
5	STEP MOUNTING PIN (WITH 2 EXTRA)	26	26
6	STEP	6	6
7	UPPER SIDE LEG ("A" ENGRAVED ON TOP CAP)	2	2
8	UPPER SIDE LEG ("B" ENGRAVED ON TOP CAP)	2	2
9	LOWER J-SHAPED SIDE LEG ("A" ENGRAVED ON TOP CAP)	2	2
10	LOWER J-SHAPED SIDE LEG ("B" ENGRAVED ON TOP CAP)	2	2

REF. NO.	DESCRIPTION	SPARE PART NO.	
		36"	42"
1	U-SHAPED TOP RAIL	11164	11164
2	TOP BRACE	11094	11094
3	SHORT FASTENER FOR U-SHAPED TOP RAIL (WITH 1 EXTRA)	10228	10228
4	LONG FASTENER FOR TOP BRACE (WITH 1 EXTRA)	10227	10227
5	STEP MOUNTING PIN (WITH 2 EXTRA)	10349	10349
6	STEP	10348	10348
7	UPPER SIDE LEG ("A" ENGRAVED ON TOP CAP)	11091A	11162A
8	UPPER SIDE LEG ("B" ENGRAVED ON TOP CAP)	11091B	11162B
9	LOWER J-SHAPED SIDE LEG ("A" ENGRAVED ON TOP CAP)	10895A	11163A
10	LOWER J-SHAPED SIDE LEG ("B" ENGRAVED ON TOP CAP)	10895B	11163B

PARTS REFERENCE (continued)

Before assembling your product, please take a few minutes to check the contents and become familiar with all the parts.



48" (122 cm) model

NOTE: Drawings for illustration purpose only. May not reflect actual product. Not to scale.

REF. NO.	DESCRIPTION	QUANTITY
1	U-SHAPED TOP RAIL	2
2	TOP BRACE	2
3	SHORT FASTENER FOR U-SHAPED TOP RAIL (WITH 1 EXTRA)	5
4	LONG FASTENER FOR TOP BRACE (WITH 1 EXTRA)	5
5	STEP MOUNTING PIN (WITH 2 EXTRA)	34
6	STEP	8
7	UPPER SIDE LEG ("A" ENGRAVED ON TOP CAP)	2
8	UPPER SIDE LEG ("B" ENGRAVED ON TOP CAP)	2
9	LOWER J-SHAPED SIDE LEG ("A" ENGRAVED ON TOP CAP)	2
10	LOWER J-SHAPED SIDE LEG ("B" ENGRAVED ON TOP CAP)	2

REF. NO.	DESCRIPTION	SPARE PART NO.	
		#58974	#10903
1	U-SHAPED TOP RAIL	11167	11171
2	TOP BRACE	11168	11172
3	SHORT FASTENER FOR U-SHAPED TOP RAIL (WITH 1 EXTRA)	10810	10810
4	LONG FASTENER FOR TOP BRACE (WITH 1 EXTRA)	10227	10227
5	STEP MOUNTING PIN (WITH 2 EXTRA)	10349	10913
6	STEP	10348	10914
7	UPPER SIDE LEG ("A" ENGRAVED ON TOP CAP)	11165A	11169A
8	UPPER SIDE LEG ("B" ENGRAVED ON TOP CAP)	11165B	11169B
9	LOWER J-SHAPED SIDE LEG ("A" ENGRAVED ON TOP CAP)	11166A	11170A
10	LOWER J-SHAPED SIDE LEG ("B" ENGRAVED ON TOP CAP)	11166B	11170B

LADDER SETUP

These assembly instructions are the same for the 3-step and 4-step ladders. The assembly drawings show the 3-step ladder.

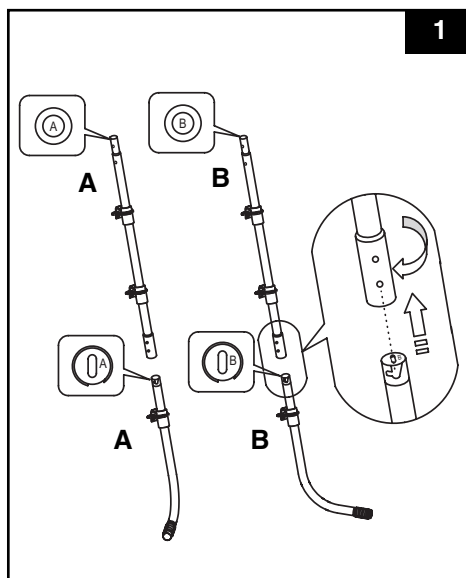
TOOLS REQUIRED: One (1) Phillips screwdriver

One (1) pair of pliers or a small adjustable wrench

IMPORTANT: Do not fully tighten fasteners until last assembly operation.

1. LEG INSTALLATION

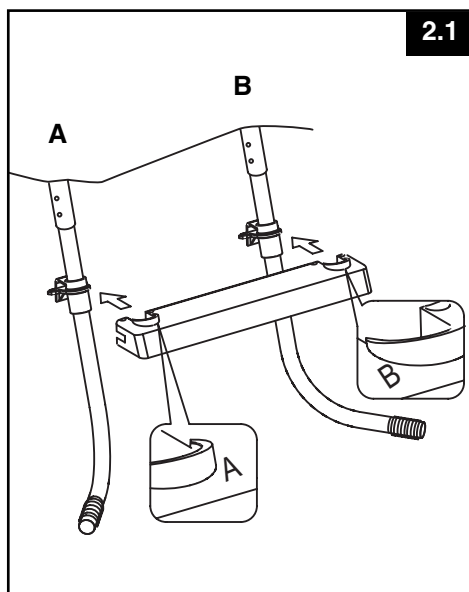
Figure 1: Match the "A" upper legs (7) with the "A" lower legs (9). Match the "B" upper legs (8) with the "B" lower legs (10). Align the notch on the "A" upper leg with the groove on the "A" lower leg. Insert lower leg into upper leg and turn the upper leg clockwise to secure the upper leg to the lower leg. Repeat sequence with the remaining set of "A" legs and "B" legs.



2. STEP INSTALLATION

Figure 2.1: The pool ladder legs have the step mounting fixtures installed at the factory. Slip the step (6) onto the mounting fixture, matching the direction of the arrow on the back of the mounting fixture with the top of the step. Ensure the back of the step is flush with the mounting fixture otherwise the step will be installed upside-down.

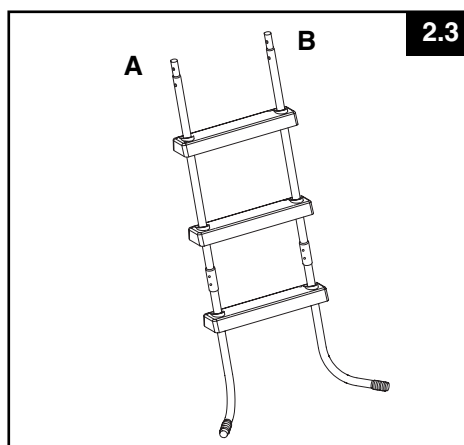
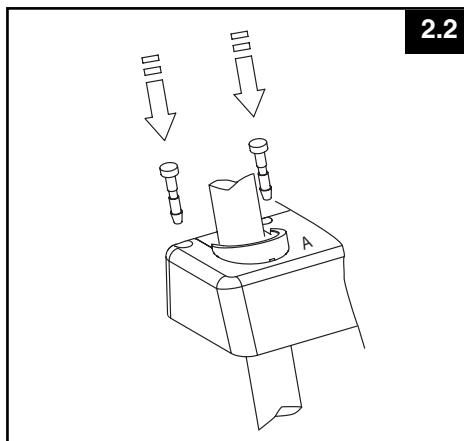
IMPORTANT: During assembly, the "A" legs fit into the "A" step holes, and "B" legs fit into "B" step holes.



SETUP INSTRUCTIONS

LADDER SETUP (continued)

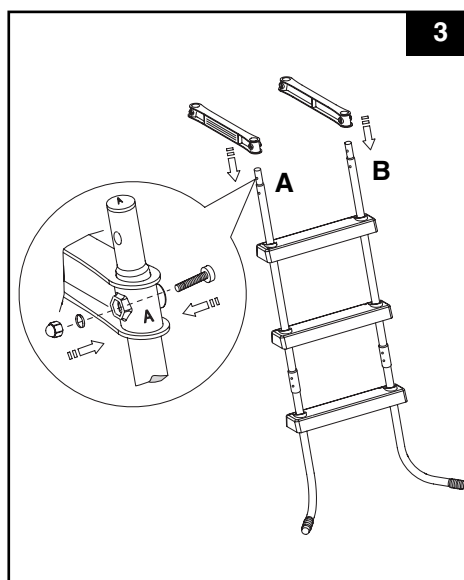
Figure 2.2: Push the step mounting pins (5) into the holes securing the step to the mounting fixture. When finished your steps and legs should resemble figure 2.3.



3. TOP BRACE INSTALLATION (ONE SIDE AT A TIME)

Figure 3: Slide the top brace (2) "A" hole onto the "A" Leg. Locate the second top brace and slide "B" hole onto "B" leg. Fasten top brace to leg using fasteners (4) as shown in figure 3.

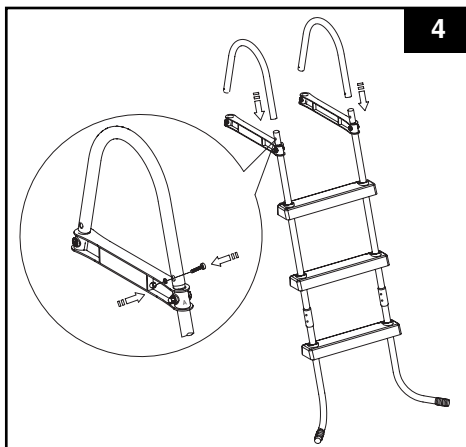
IMPORTANT: Do not connect both sides of the ladder to the top brace at this time.



LADDER SETUP (continued)

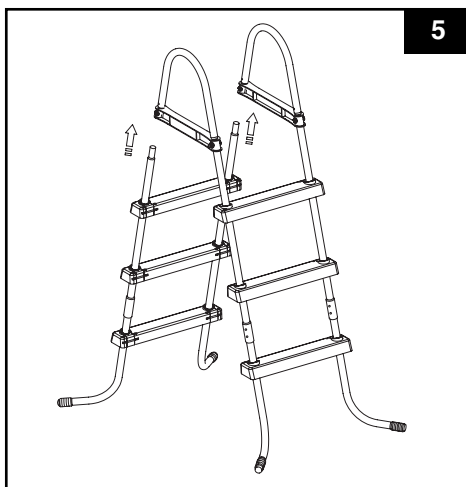
4. U-SHAPED TOP RAIL INSTALLATION

Figure 4: Install the U-Shaped top rails (1) onto the legs above the top brace (2) as shown and connect with fasteners (3).



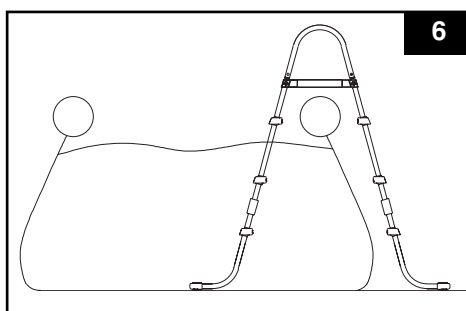
5. FINAL ASSEMBLY

Figure 5: With all the top rail and top brace holes in alignment, from the underside, slide the remaining ladder portion into its proper position. Make sure that the "A" Leg is matched to the "A" hole in the top brace and the "B" Leg is matched to the "B" hole in the top brace. Fasten securely with the (4) and (3) fasteners. Fully tighten all fasteners and apply downward pressure to each step to be sure they are fully anchored in place. The ladder is now ready to use.



6. INSTALLATION OF LADDER IN POOL

Figure 6: Locate one side of the ladder inside the pool and the other side outside of the pool.



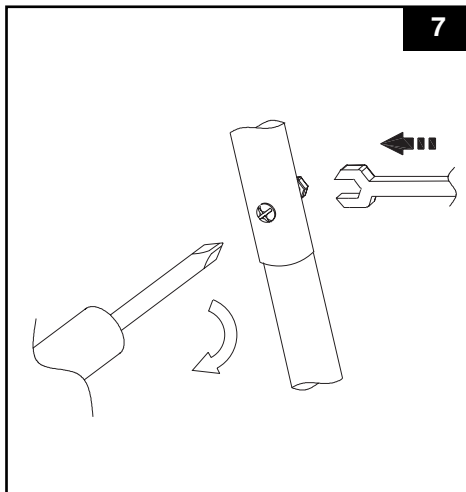
⚠ WARNING

- Locate ladder on a level, solid base.
- Remove and secure ladder away from the pool when the pool is not in use to prevent unauthorized, unintentional or unsupervised pool entry.

LADDER SETUP (continued)

7. MAINTENANCE

Figure 7: Periodically check all nuts, bolts (figure 7), step mounting fixtures, and step mounting pins to ensure the ladder stays sturdy.



⚠ WARNING

- Check all nuts and bolts regularly to ensure ladder stays sturdy.

This ladder is designed and manufactured for Intex pool wall height:

Item #	Pool Wall Height
58972	36" (91 cm)
58973	42" (107 cm)
58974 (white & blue)	48" (122 cm)
10903 (silver & white)	48" (122 cm)

SAVE THE CARTON FOR STORAGE AND THE INSTRUCTIONS FOR RE-ASSEMBLY

GENERAL AQUATIC SAFETY

Water recreation is both fun and therapeutic. However, it involves inherent risks of injury and death. To reduce your risk of injury, read and follow all product, package and package insert warnings and instructions. Remember, however, that product warnings, instructions and safety guidelines cover some common risks of water recreation, but do not cover all instances or risk and or danger.

For additional safeguards, also familiarize yourself with the following general guidelines as well as guidelines provided by nationally recognized Safety Organizations:

- Demand constant supervision.
- Learn to swim.
- Take the time to learn CPR and first aid.
- Instruct anyone who is watching your children about potential pool hazards and about the use of protective devices such as locked doors, barriers, etc.
- Teach children what to do in case of an emergency.
- Always use common sense and good judgement when enjoying any water activity.
- Supervise, Supervise, Supervise.

For service questions or to order replacement parts, please contact the appropriate office listed below or visit www.intexdevelopment.com for answers to most frequently asked questions.

AREAS	LOCATION	AREAS	LOCATION
• ASIA	INTEX DEVELOPMENT CO. LTD. 8TH FLOOR, DAH SING FINANCIAL CENTRE, 108 GLOUCESTER ROAD, WANCHAI, HONG KONG TEL: 852-28270000 FAX: 852-23118200 E-mail: xmservicesupport@intexcorp.com.cn Website: www.intexdevelopment.com	• ARGENTINA	JARSE INDUSTRIAL Y COMERCIAL S.A MANUEL GARCIA N°124, PARQUE PATRICO, BUENOS AIRES, ARGENTINA TEL.: 4942-2238 (interno 106); TEL.: 4942-2238(interno 145) E-mail: Martin.Cosoletto@jarse.com.ar E-mail: Daniel.Centurion@jarse.com.ar COMEXA S.A.
• EUROPE	INTEX TRADING B.V. POSTBUS 1075, 4700 BB ROOSENDAAL, THE NETHERLANDS TEL: 31-(0)165-593939 FAX: 31-(0)165-593969 E-mail: service@intexcorp.nl Website: www.intexcorp.nl	• PERU	AVENIDA COMANDANTE ESPINAR 142, MIRAFLORES, LIMA, PERU TEL: 446-9014
• FRANCE	INTEX SERVICE FRANCE (CASS INTEX FRANCE) 52, ROUTE NATIONALE, 39190 BEAUFORT, FRANCE TEL: 08 90 71 20 39 FAX: 03 84 25 18 09 E-mail: sav@intexcorp.com.fr Website: www.intex.fr	• SAUDI ARABIA	SAUDI ARABIAN MARKETING & AGENCIES CO. LTD. PRINCE AMIR MAJED STREET, AL-SAFA DISTRICT, JEDDAH, KINGDOM OF SAUDI ARABIA TEL: 966-2-693 8496 FAX: 966-2-271 4084 E-mail: toy@samaco.com.sa Website: www.samaco.com.sa
• GERMANY	STEINBACH VERTRIEBSGMBH AN DER WELLE 4 60322 FRANKFURT TEL: 0800 468397665 FAX: + 43 (7262) 61439 E-mail: service@intexcorp.de Website: www.intexcorp.de	• AUSTRIA	STEINBACH VERTRIEBSGMBH AISTINGERSTRASSE 2 4311 SCHWERTBERG TEL.: 0800 468397665 FAX: + 43 (7262) 61439 E-mail: service@intexcorp.at Website: www.intexcorp.at
• ITALY	A & A MARKETING SERVICE VIA RAFFAELLO SANZIO 20058 VILLASANTA (MI) TEL: 199 12 19 78 FAX: +39 039 2058204 E-mail: intex@aeamarketingservice.com Website: www.intexitalia.com	• CZECH REPUBLIC / EASTERN EUROPE	INTEX TRADING S.R.O. BENESOVSKA 23, 101 00 PRAHA 10, CZECH REPUBLIC TEL.: +420-267 313 188 FAX: +420-267 312 552 E-mail: info@intexcorp.cz
• UK	TOY BROKERS LTD MARKETING HOUSE, BLACKSTONE ROAD, HUNTINGDON, CAMBS. PE29 6EF, UK TEL: 0844 561 7129 FAX: 01480 414761 E-mail: sales@toybrokers.com Website: www.intexspares.com	• BELGIUM	N.V. SIMBA-DICKIE BELGIUM S.A. MOESKROENSESTEENWEG 383C, 8511 AALBEKE, BELGIUM TEL.: 0800 92088 FAX: 32-56.26.05.38 E-mail: intex@nicotoy.be E-mail: intexsupport@nicotoy.be
• SWITZERLAND	GWM AGENCY GARTEN-U. WOHNMOBEL, RAFFELSTRASSE 25, POSTFACH, CH-8045 ZÜRICH/SWITZERLAND TEL: 0900 455456 or +41 44 455 50 60 FAX: +41 44 455 50 65 E-mail: gwm@gwm.ch Website: www.gwm.ch	• DENMARK	K.E. MATHIASSEN A/S SINTRUPVEJ 12, DK-8220 BRABRAND, DENMARK TEL: +45 89 44 22 00 FAX: +45 86 24 02 39 E-mail: intex@keleg.dk Website: www.intexnordic.com
• SPAIN	KOKIDO BVI LIMITED C/ LAS MORERAS PARCELA 1 NAVES 7-10 POL. IND. CAMPORROSSO 28350 CIEMPOZUELOS, MADRID TEL: 34 902 35 10 45 FAX: +34 902 45 15 60 E-mail: info@kokido.com	• SWEDEN	LEKSAM AB BRANDSVIGSGATAN 6, S-262 73 ÄNGELHOLM, SWEDEN TEL: +46 431 44 41 00 FAX: +46 431 190 35 E-mail: intex@leksam.se
• PORTUGAL	KOKIDO BVI LIMITED AVENIDA ANTÓNIO AUGUSTO AGUIAR, N°163 - 5°DT° 1050-014 LISBOA PORTUGAL TEL: 351 707 200 936 FAX: 351 213 519 550 E-mail: info@kokido.com	• NORWAY	NORSTAR AS PINDSLEVEN 1, N-3221 SANDEFJORD, NORWAY TEL: +47 33 48 74 10 FAX: +47 33 48 74 11 E-mail: intex@norstar.no Website: www.intexnordic.com
• AUSTRALIA	HUNTER OVERSEAS PTY LTD LEVEL 1, 225 BAY STREET, BRIGHTON, VICTORIA, AUSTRALIA TEL: 61-3-9596-2144 or 1800-224-094 FAX: 61-3-9596-2188 E-mail: enquiries@hunteroverseas.com.au Website: www.hunteroverseas.com.au	• FINLAND	NORSTAR OY SUOMALAISSENTIE 7, FIN-02270 ESPOO, FINLAND TEL: +358 9 8190 530 FAX: +358 9 8190 5335 E-mail: info@norstar.fi Website: www.intexnordic.com
• NEW ZEALAND	HAKA NEW ZEALAND LIMITED UNIT 4, 11 ORBIT DIVE, ALBANY, AUCKLAND 0757, NEW ZEALAND TEL: 649-4159213 FAX: 649-4159212 E-mail: geoff@hakanz.co.nz	• RUSSIA	KIEVSKAYA STR. 20, 121165 MOSCOW, RUSSIA TEL: 099-249-9400/8626/9802 FAX: 095-742-8192 E-mail: intex.russia@gmail.com Website: www.intex.su
• MIDDLE EAST REGION	FIRST GROUP INTERNATIONAL AL MOOSA GROUP BUILDING, 1ST FLOOR, OFFICE 102 & 103, UMM HURAIR ROAD, KARAMA, DUBAI, UAE TEL: 00971-4-3373322 FAX: 00971-4-3375115 E-mail: info@firstgroupinternational.com Website: www.firstgroupinternational.com	• POLAND	KATHAY HASTER UL. LUTYCKA 3, 60-415 POZNAN TEL: +48 61 8498 381/380 FAX: +48 61 8474 487 E-mail: inx@kathay.com.pl Website: www.intexpoland.pl
• SOUTH AFRICA	WOOD & HYDE 15-17 PACKER AVENUE, INDUSTRIA 2, CAPE TOWN, SOUTH AFRICA 7460 TEL: 27-21-0800-204-692 FAX: 27-21-505-5600 E-mail: ygoldman@melbro.co.za	• HUNGARY	RECONTRA LTD./RICKI LTD. H-1113 BUDAPEST, DARÓCZI ÚT 1-3, HUNGARY TEL: +361 372 5200/113 FAX: +361 209 2634 E-mail: service@recontra.hu
• CHILE / URUGUAY	COMEXA S.A. EL JUNCAL 100, PARQUE INDUSTRIAL PORTEZUELO, QUILICURA, SANTIAGO, CHILE. TEL: 600-822-0700 E-mail: serviciotecnico@silfa.cl	• BRASIL	KONECUL MARKETING & SALES LTDA RUA ANTONIO DAS CHAGAS, 1,528 - CEP. 04714-002, CHÁCARA SANTO ANTONIO - SÃO PAULO - SP - BRASIL TEL: 55 (11) 5181 4646 FAX: 55 (11) 5181 4646 E-mail: sactextbrasil@uol.com.br
		• ISRAEL	ALFIT TOYS LTD MOSHAV NEHALIM, MESHEK 32, 49950, ISRAEL TEL: +972-3-9076666 FAX: +972-3-9076660 E-mail: michald@chagim.co.il