



Summer Days Cedar Pools

The Summer Days Cedar pool has been designed & equipped to bring you a Pool with the superior strength & durability which a wooden pool offers. These pools have been specially made for us and we have utilised our many years of experience to ensure a quality product which fulfils your expectations.



The walls & top coping are made from a sustainable high grade slow growing Redwood which has been milled into planks of 4.3cm thick timber. These planks have then been pressure treated and impregnated with "Tanalith E", this is a special preservative which protects against woodworm, termites and fungal infestation. The pressure treating process gives the wood a pleasant green tint. The Wall structure of these pools come with a 5 Year warranty.



The Pools are available in 4 popular sizes, we even have a Corner pool which can be built as the name suggest into a Corner so maximising the space in your garden. All 4 sizes of pool have a wall depth of 48" [1.22cm]. The pool water depth is ideally around 6" lower. The top coping of the pool is finished off with corner cover strips at every joint, this makes for a safe & professional finish to the top coping. The Pools all have a blue 99% Virgin PVC lining, and felt liner underlay, all of the liners are custom made to fit each size to ensure a perfect fit every time.



The Summer Days Cedar also comes complete with an ABS Skimmer, this skimmer is fitted in to the top of the pool wall and allows you to remove debris from the pool as it lands on the waters surface. The skimmer also enables you to plug in your swimming pool vacuum cleaner to manually clean your pool. The water is pumped around a high rate sand filter and pump combination unit which has the power to filter up to 6,000 litres of water every hour. This highly efficient filtration system makes light work of keeping your pool



water crystal clear. Below you will see a filtration chart showing you the minimum hours your pool should be running to maintain your pool water, along with our recommendation of heater should you wish to add this as an optional extra.

Filtration Turnover Rates & Heater Selection Chart

<u>Summer Days Cedar Pool Size</u>	<u>Pool Volume Gallons/Litres</u>	<u>Minimum Daily Filtration Time</u>	<u>Electro Heater Required</u>	<u>Air Heat Pro Pump Required</u>
3.7m Octagonal	2,595 / 11,800	5 Hours	6 - 9kw	T12 - 12kw
5.5m Octagonal	4,894 / 22,250	8 Hours	9 - 12kw	T15 - 15kw
7.2m x 5.0m Oval	7,318 / 33,270	12 Hours	12 - 18kw	T17 - 17kw

N.B. During the hottest days of Summer! & during heavy periods of use, we recommend that you run the filtration system 24 hours a day to maximise filtration effectiveness, always replace your solar cover onto the pool whilst not in use to increase solar gain & heat retention.



Pool Access

All Summer Days Cedar Pools come with a 3 Tread Stainless Steel Internal Ladder, and a 3 tread Wooden external ladder. The combination of these two ladders make entering and exiting your pool easy & safe.

Pool Accessories

All Summer Days Cedar Pools come complete with everything you need for day to day pool maintenance and all of the accessories are from our UKPS extra strength range ensuring that your equipment will give you many years of trouble free use. Our maintenance package includes the following accessories: Telescopic pole, extra strength deep leaf net, 18" pool brush, triangular Vacuum head, 1.5" Vacuum Hose, Easy View Thermometer.



Optional Pool Covers & Reel System



Summer Days Cedar Pool offer amazing value for money, and we have selected a heavy grade 400 micron solar cover. This heavier grade of solar cover makes good use of the Sun's ray during the summer months also helps to reduce heat loss at night time, so your pool should be nice and cosy! We also have as an optional extra, a telescopic solar cover reel systems which bolts onto the top of your pool and allows you to remove & replace your solar cover easily (especially useful for Mum, as she's normally the one struggling to remove or replace the solar cover). We believe that our Summer Days Cedar pool should also have the best protection against the British Winter, so we have also specified the best grade of winter covers available, ensuring your pool is protected fully every winter.

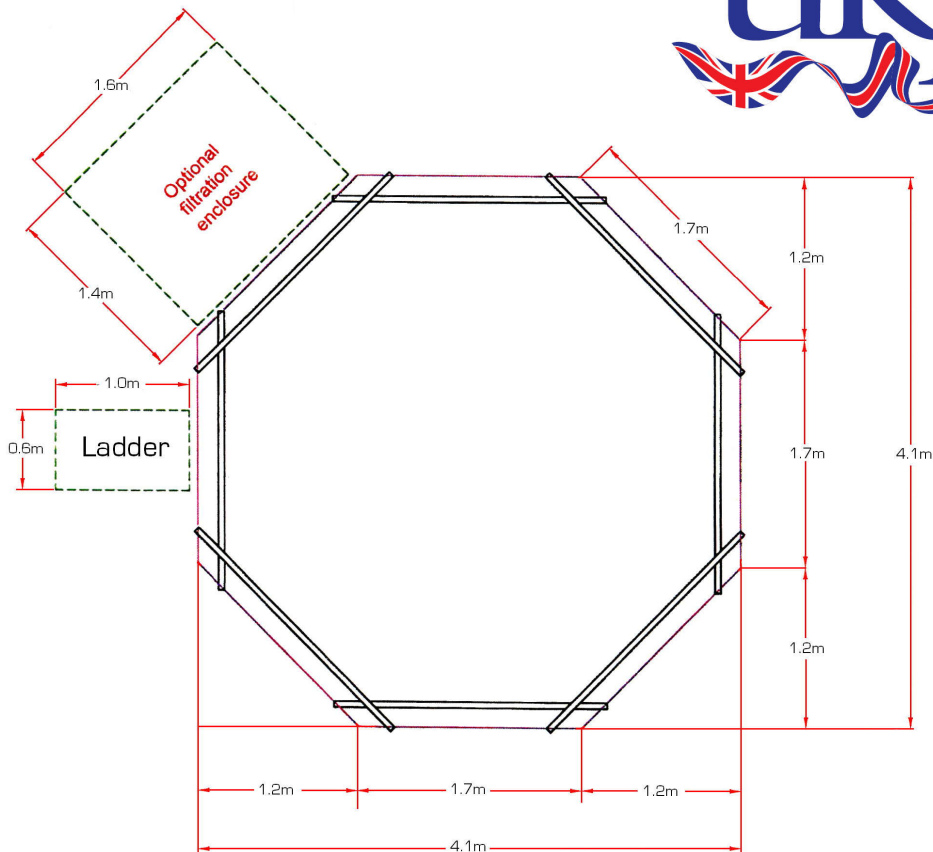
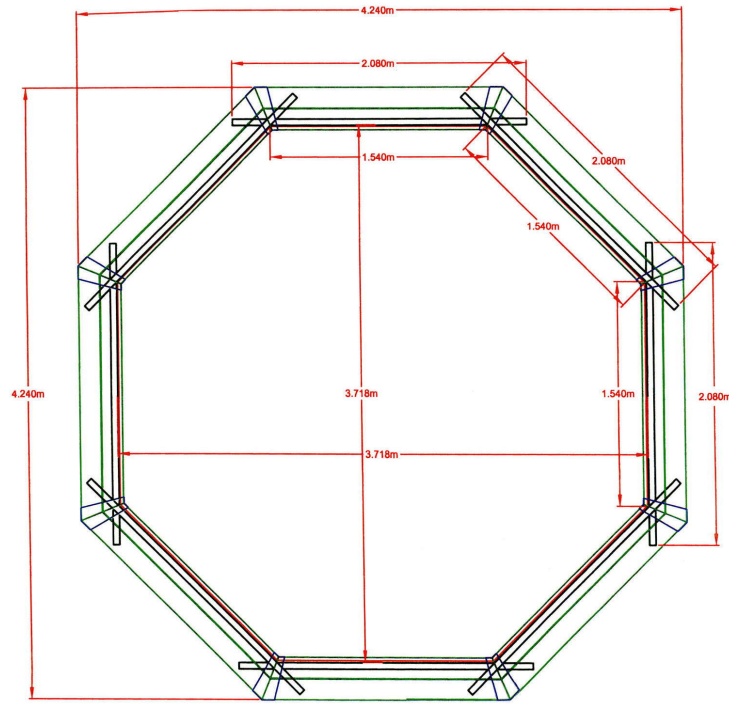


Pool Chemicals

All our pools come complete with a chlorine chemical starter pack, with full instructions on how and when to use the chemicals for your pool. Each chemical starter pack includes Chlorine granule, pH minus granules, pH plus granules, Algaecide & pool water test strips with easy to use instructions. These chemicals starter kits generally last for around 4 weeks, so don't forget to order more chemicals before you run out.

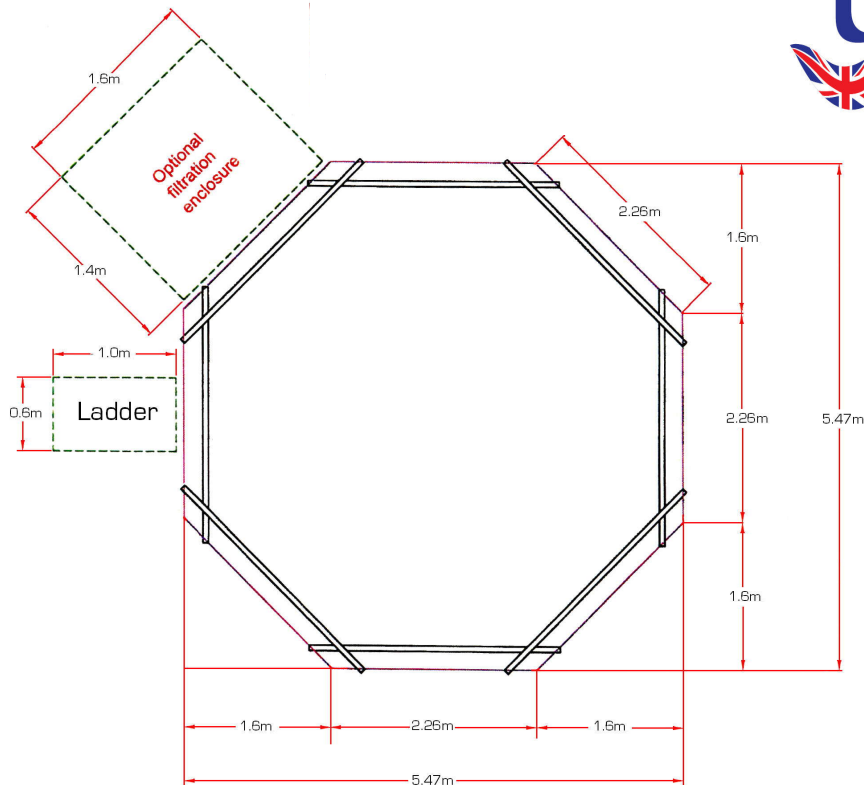
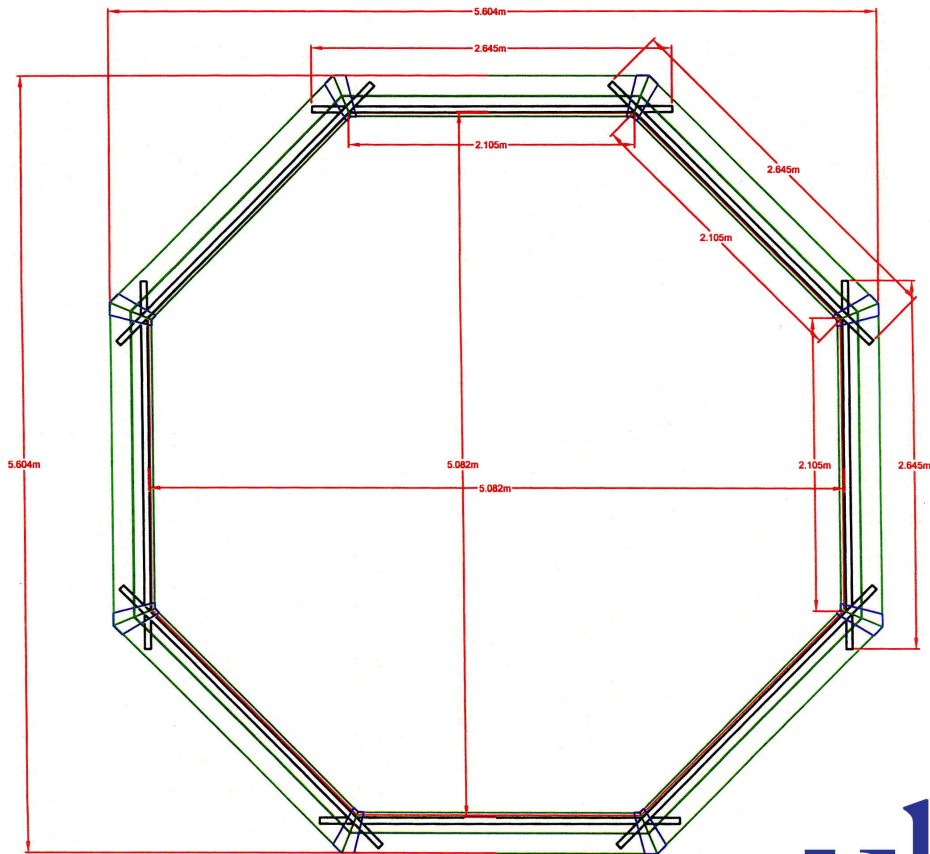


Summer Days Cedar 3.7m x 3.7m x 1.17m Deep Octagonal Pool



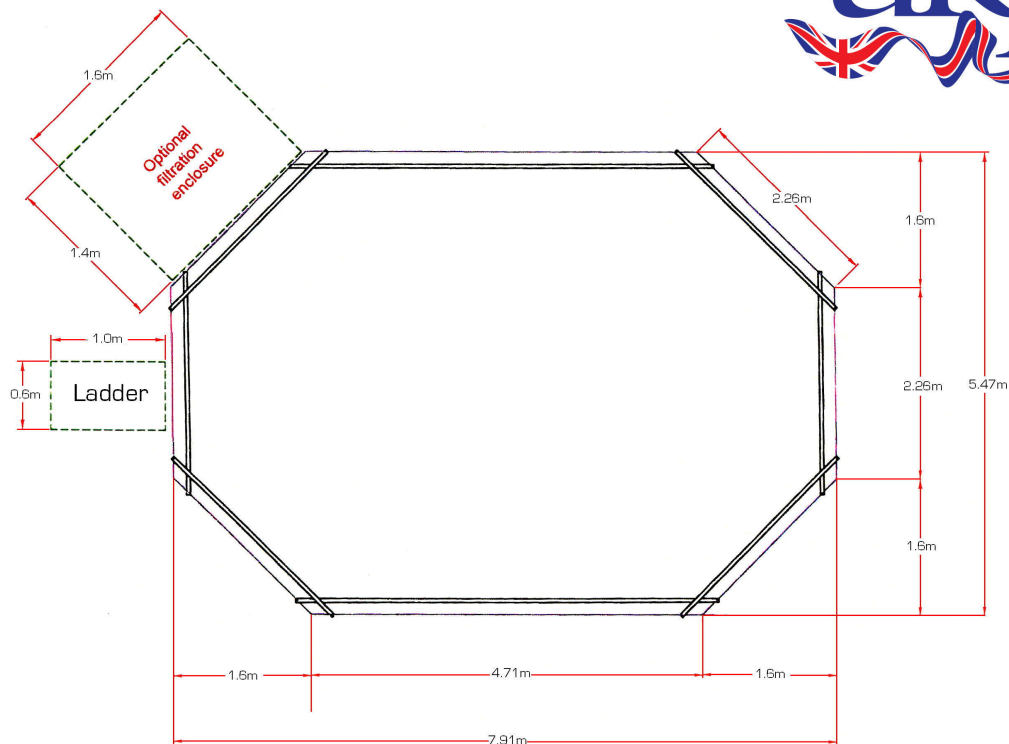
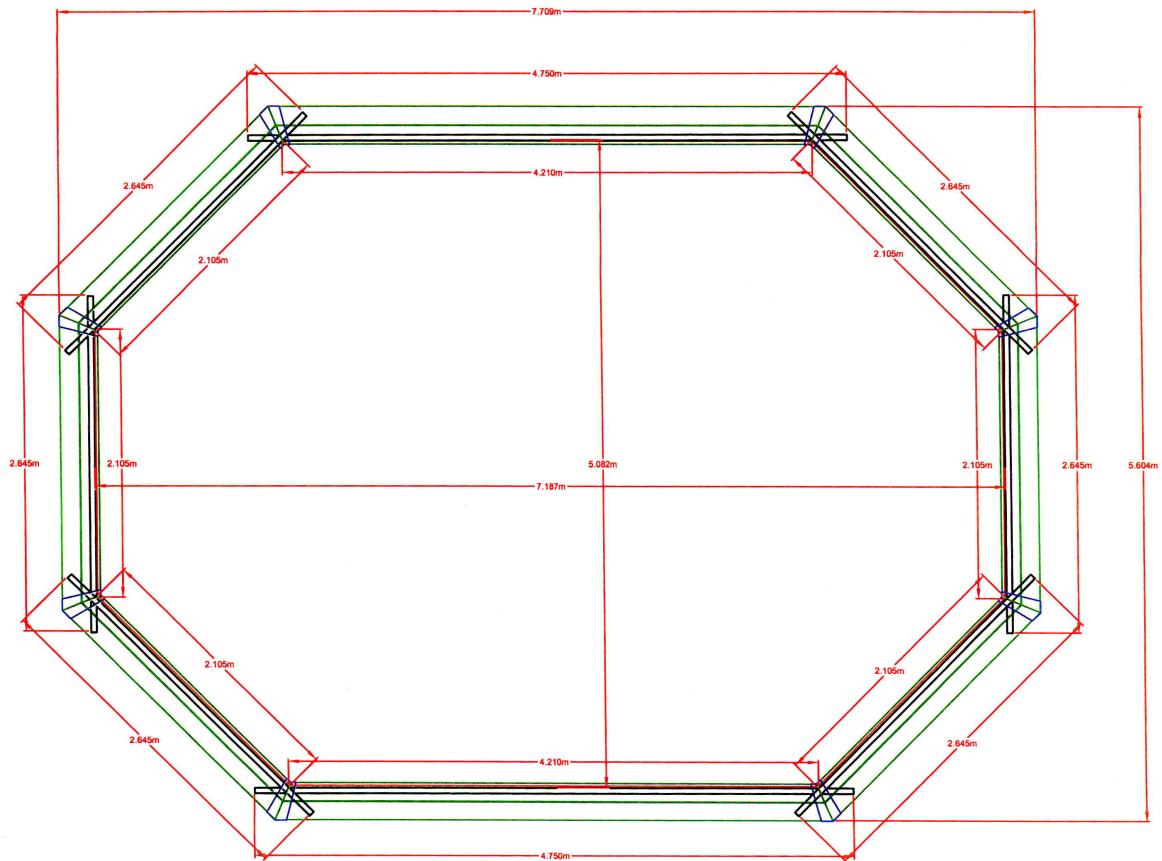
Minimum base size for this pool is 4.2m Square. This should be 100mm (4") thick concrete. Ideally you can build the concrete base on top of sheet polystyrene insulation as this will provide added thermal insulation, so reducing any heat loss to the ground. Consider extending the base on one side to accommodate the landing area for the external ladder. The same is required to house the pump & filter. Please note that the skimmer can not be installed on the same wall as the ladder or optional filtration enclosure.

Summer Days Cedar 5.5m x 5.5m x 1.17m Deep Octagonal Pool



Minimum base size for this pool is 5.6m Square. This should be 100mm (4") thick concrete. Ideally you can build the concrete base on top of sheet polystyrene insulation as this will provide added thermal insulation, so reducing any heat loss to the ground. Consider extending the base on one side to accommodate the landing area for the external ladder. The same is required to house the pump & filter Please note that the skimmer can not be installed on the same wall as the ladder or optional filtration enclosure.

Summer Days Cedar 7.2m x 5.0m x 1.17m Deep Stretched Octagonal Pool



Minimum base size for this pool is 8.0m x 5.6m. This should be 100mm (4") thick concrete. Ideally you can build the concrete base on top of sheet polystyrene insulation as this will provide added thermal insulation, so reducing any heat loss to the ground. Consider extending the base on one side to accommodate the landing area for the external ladder. The same is required to house the pump & filter. Please note that the skimmer can not be installed on the same wall as the ladder or optional filtration enclosure.